

# TOOL SETTING GAUGE MODEL # 07305

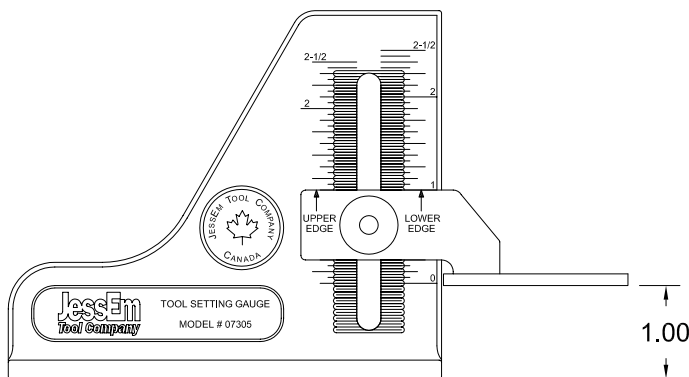


100 CAPLAN AVENUE # 14 & 15  
BARRIE, ONTARIO L4N 9J2 CANADA  
800-436-6799 - TOLL FREE  
705-726-8233 - LOCAL  
705-726-7519 - FAX

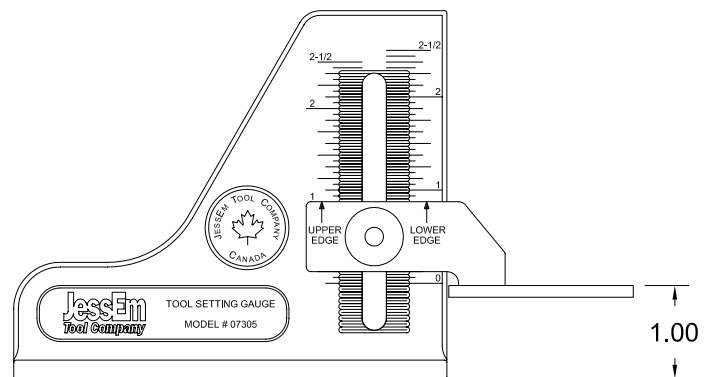
Thank you for choosing this product from JessEm Tool Company. We appreciate your support and hope that our product serves you well. This product is designed to provide you many years of reliable service.

When using the tool setting gauge to set any tool, ensure that the tool is turned off and the power source is disconnected before adjustment. Ensure the gauge is not contacting the tool when turned back on.

Your Tool Setting Gauge is adjustable in 1/16" increments and has a total range of 2-1/2". Use the left lower edge (right hand) scale for setting the distance between the lower edge of the blade and the base of the gauge. Use the upper edge (left hand) scale for setting the distance between the upper edge of the blade and the gauge base. (see diagrams below)



USE LOWER EDGE (RIGHT) SCALE FOR SETTING  
DISTANCE BETWEEN THE LOWER BLADE AND THE BASE



USE UPPER EDGE (RIGHT) SCALE FOR SETTING  
DISTANCE BETWEEN THE UPPER BLADE AND THE BASE